

TABLE OF CONTENTS

GENERATION 3	2
EXTREME SOLO	4
MIGHTY MITE	6
BLACK KNIGHT 2	8
EXTREME SHORT DRAW	10
PRO 38	12
PRO 40	14
STALKER	16
TECH 29	18
TROUBLE SHOOTING	20
BOW MAINTENANCE	21
WARNINGS	22
PRODUCT UPDATES	22
STRING CARE	23

OWNER'S RECORD

Bow Model: _____ Serial #: _____

Brace Height: _____

Draw Length: _____

Draw Weight: _____

Purchase Date: _____

Purchase Price: _____

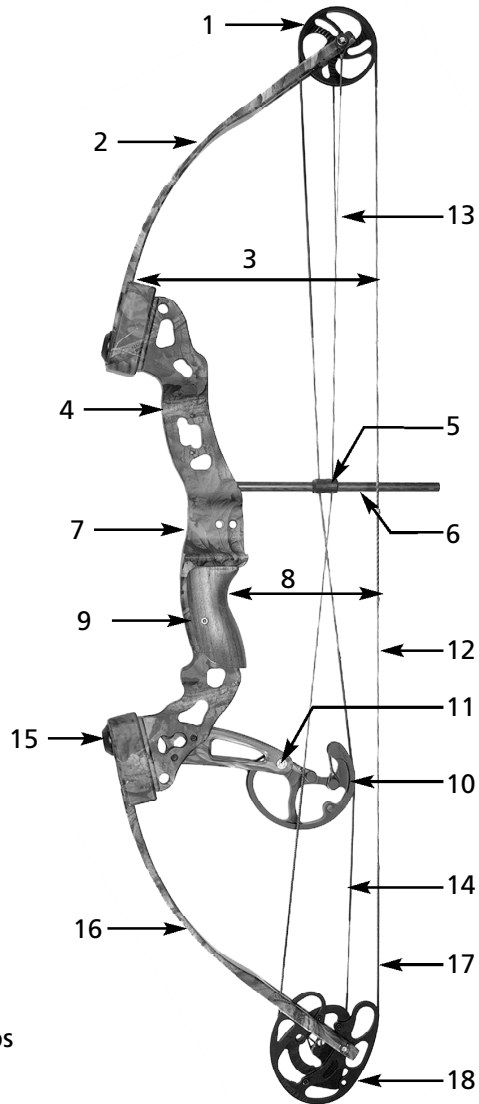
Purchased From: _____

Dealer Phone #: _____

GENERATION 3

Bow Parts

1. Idler Wheel
2. Top Limb
3. Limb Tiller
4. Riser
5. Cable Slide
6. Cable Guard
7. Arrow Rest
8. Brace Height Measurement
9. Grip
10. Middle Wheel
11. Bracket
12. String
13. Cable # 1
14. Cable # 2
15. Limb Bolt
16. Bottom Limb
17. Speed Nocks
18. Bottom cam (PF cam)



Bow Specifications

Draw Weights	60-70#
Let Off	65 or 80%
Axle-Axle	36"
Mass Weight	4.1 Lbs

Option 1

Brace Height	5.65"
Draw Lengths	25-30"
IBO	324-332 fps

Option 2

Brace Height	6.65"
Draw Lengths	25-30"
IBO	310-318 fps

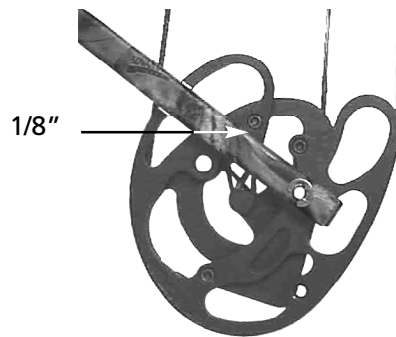
SET UP

The **Generation 3** is factory tuned right out of the box. You will need to set your draw to the correct length. (An Authorized BowTech dealer should do this step.) The **Generation 3** has a module draw system. Each module equals 1" of draw length. To change your draw length, see your Authorized BowTech dealer for installation of a different module.

Setting the Peak Weight: One full 360 degree turn on the limb bolt equals 3-4 lbs. The bow is set up for only 10lb increments and allows for no more than 2 1/2, 360 degree turns. **(Every bow will perform best at peak weight).** The **Generation 3** comes standard to fit most manufacturers accessories. **This bow is intended to shoot with a mechanical release.**

TUNING

The **Generation 3** bow needs to be properly tuned to achieve maximum performance. Any alterations to the original factory set-up will inhibit that performance. For optimum results keep the PF cam properly tuned. Your **Generation 3**, is factory set at 1/8 of an inch gap between the inside module screw and the limb. (See photo below)

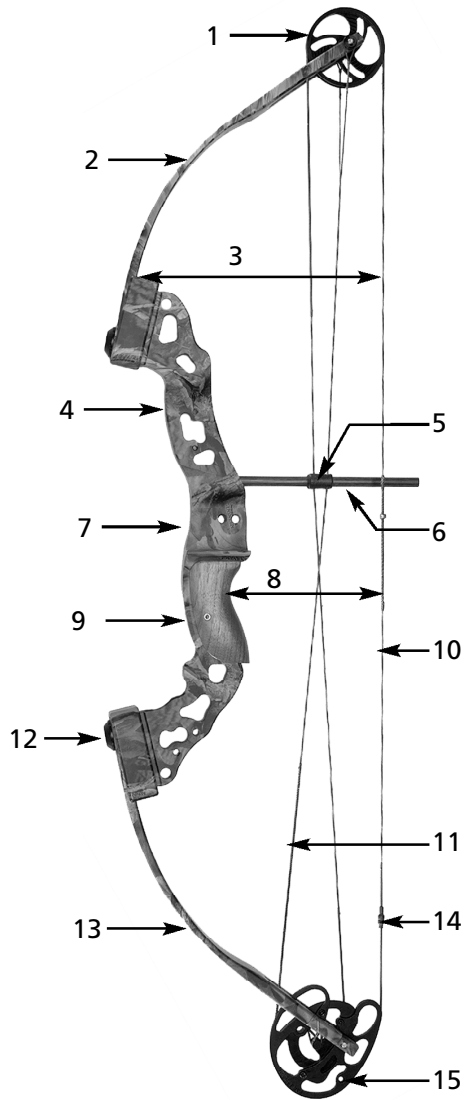


The **Generation 3** comes from the factory pre-set. There are two nocks added to the bottom part of the string. This will enhance the speed of the bow; however, adding or removing additional nocks will only reduce the performance. When replacing the string, the speed nocks should be placed 4.375" from the bottom axle. When string or cables need to be replaced, Contact your authorized BowTech dealer to purchase only BowTech replacement parts. Any addition of non-Bowtech replacement parts could void your warranty. Properly maintained and tuned, the **Generation 3** will perform at its maximum potential.

EXTREME SOLO

Bow Parts

1. Idler Wheel
2. Top Limb
3. Limb Tiller
4. Riser
5. Cable Slide
6. Cable Guard
7. Arrow Rest
8. Brace Height Measurement
9. Grip
10. String
11. Cable
12. Limb Bolt
13. Bottom Limb
14. Speed Nocks
15. Bottom cam (PF cam)



Bow Specifications

Draw Weights	60-70#
Let Off	65 or 80%
Axle-Axle	36"
Mass Weight	3.7 Lbs

Option 1

Brace Height	5.65"
Draw Lengths	25-30"
IBO	325-333 fps

Option 2

Brace Height	6.65"
Draw Lengths	26-31"
IBO	311-319 fps

Special Order 80# – 90# – 100#

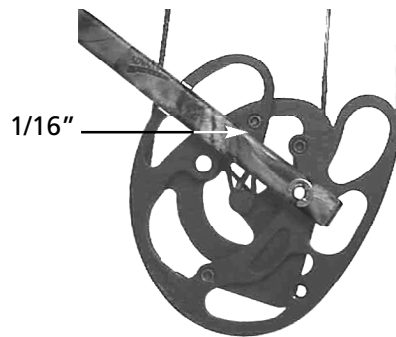
SET UP

The **Extreme Solo** is factory tuned right out of the box. You will need to set your draw to the correct length. (An Authorized BowTech dealer should do this step.) The **Extreme Solo** has a module draw system. Each module equals 1" of draw length. To change your draw length, see your Authorized BowTech dealer for installation of a different module.

Setting the Peak Weight: One full 360 degree turn on the limb bolt equals 3-4 lbs. The bow is set up for only 10lb increments and allows for no more than 2 1/2, 360 degree turns. **(Every bow will perform best at peak weight).** The **Extreme Solo** comes standard to fit most manufacturers accessories. **This bow is intended to shoot with a mechanical release.**

TUNING

The **Extreme Solo** bow needs to be properly tuned to achieve maximum performance. Any alterations to the original factory set-up will inhibit that performance. For optimum results keep the PF cam properly tuned. Your **Extreme Solo**, is Factory set at a 1/16 of an inch gap between the inside module screw and the limb. (See photo below)



The **Extreme Solo** comes from the factory pre-set. There are two nocks added to the bottom part of the string. This will enhance the speed of the bow; however, adding or removing additional nocks will only reduce the performance. When replacing the string, the speed nocks should be placed 4.375" from the bottom axle. When string or cables need to be replaced, Contact your authorized BowTech dealer to purchase only BowTech replacement parts. Any addition of non-Bowtech replacement parts could void your warranty. Properly maintained and tuned, the **Extreme Solo** will perform at its maximum potential.

MIGHTY MITE

Bow Parts

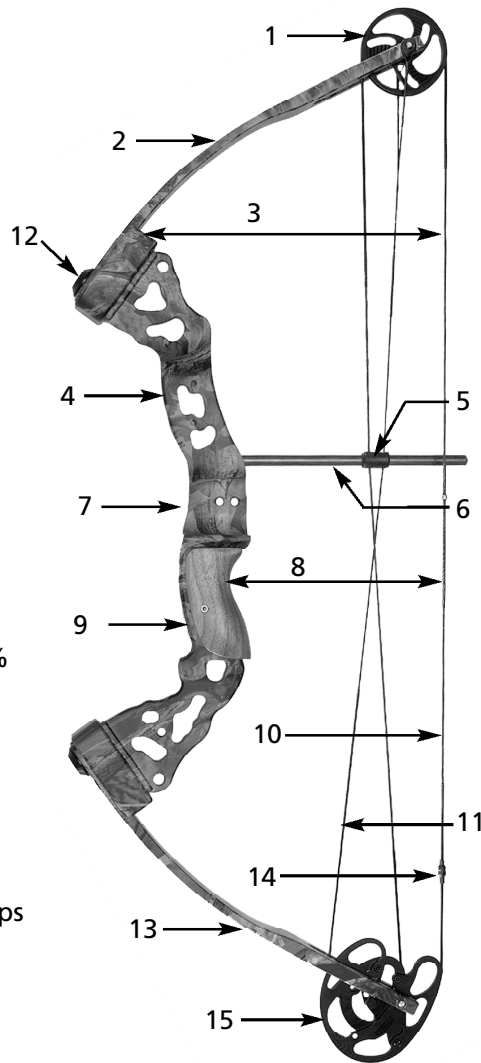
1. Idler Wheel
2. Top Limb
3. Limb Tiller
4. Riser
5. Cable Slide
6. Cable Guard
7. Arrow Rest
8. Brace Height Measurement
9. Grip
10. String
11. Cable
12. Limb Bolt
13. Bottom Limb
14. Speed Nocks
15. Bottom cam (PF cam)

Bow Specifications

Draw Weights	60-70#
Let Off	65 or 80%
Axle-Axle	31.5"
Mass Weight	3.6 Lbs

Option 1

Brace Height	7.25"
Draw Lengths	25-30"
IBO	318-326 fps



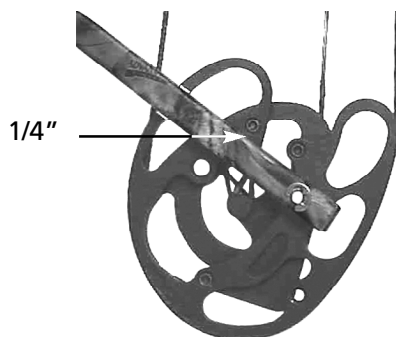
SET UP

The **Mighty Mite** is factory tuned right out of the box. You will need to set your draw to the correct length. (An Authorized BowTech dealer should do this step.) The **Mighty Mite** has a module draw system. Each module equals 1" of draw length. To change your draw length, see your Authorized BowTech dealer for installation of a different module.

Setting the Peak Weight: One full 360 degree turn on the limb bolt equals 3-4 lbs. The bow is set up for only 10lb increments and allows for no more than 2 1/2, 360 degree turns. **(Every bow will perform best at peak weight).** The **Mighty Mite** comes standard to fit most manufacturers accessories. **This bow is intended to shoot with a mechanical release.**

TUNING

The **Mighty Mite** bow needs to be properly tuned to achieve maximum performance. Any alterations to the original factory set-up will inhibit that performance. For optimum results keep the PF cam properly tuned. Your **Mighty Mite**, is factory set at 1/4 of an inch gap between the inside module screw and the limb. (See photo below)



The **Mighty Mite** comes from the factory pre-set. There are two nocks added to the bottom part of the string. This will enhance the speed of the bow; however, adding or removing additional nocks will only reduce the performance. When replacing the string, the speed nocks should be placed 4.375" from the bottom axle. When string or cables need to be replaced, Contact your authorized BowTech dealer to purchase only BowTech replacement parts. Any addition of non-Bowtech replacement parts could void your warranty. Properly maintained and tuned, the **Mighty Mite** will perform at its maximum potential.

BLACK KNIGHT 2

Bow Parts

1. Top Black Knight 2 cam
2. Top Limb
3. Limb Tiller
4. Riser
5. Cable Slide
6. Cable Guard
7. Arrow Rest
8. Brace Height Measurement
9. Grip
10. String
11. Cable
12. Limb Bolt
13. Bottom Limb
14. Speed Nocks
15. Bottom cam (BK2 cam)

Bow Specifications

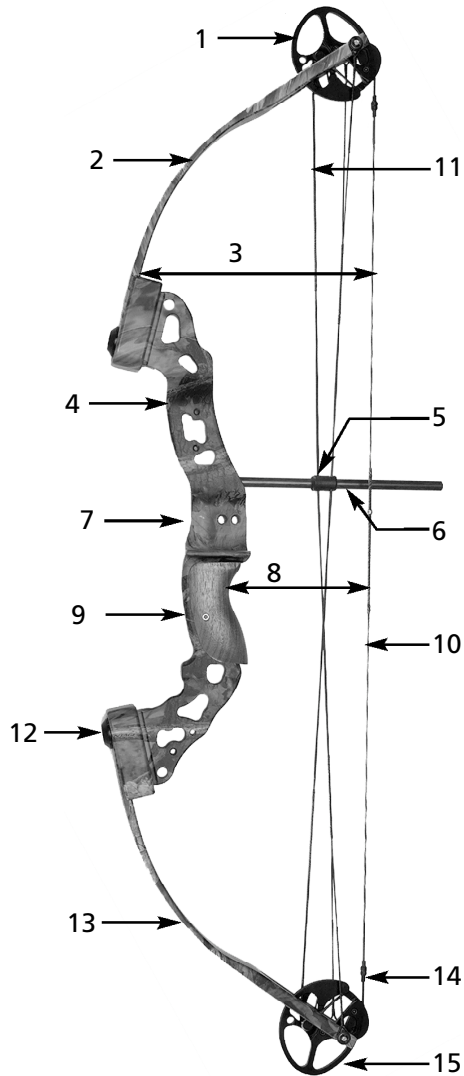
Draw Weights	60-70#
Let Off	65%
Axle-Axle	36"
Mass Weight	3.5 Lbs

Option 1

Brace Height	5.25"
Draw Lengths	26-30"
IBO	344-350 fps

Option 2

Brace Height	6.25"
Draw Lengths	27-31"
IBO	333-339 fps



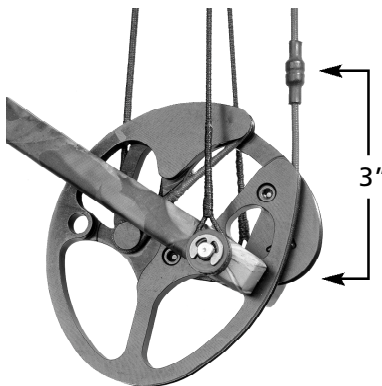
SET UP

The **Black Knight 2** is factory tuned right out of the box. You will need to set your draw to the correct length. (An Authorized BowTech dealer should do this step.) The **Black Knight 2** has a module draw system. Each module equals 1" of draw length. To change your draw length, see your Authorized BowTech dealer for installation of the correct module's.

Setting the Peak Weight: One full 360-degree turn on the limb bolt equals 3-4 lbs. The bow is set up for only 10lb increments and allows for no more than 2 1/2, 360-degree turns. **(Every bow will perform best at peak weight).** The **Black Knight 2** comes standard to fit most manufacturers accessories. **This bow is intended to shoot with a mechanical release.**

TUNING

The **Black Knight 2** bow needs to be properly timed to achieve maximum performance. Any alterations to the original factory set-up will inhibit that performance. For optimum results keep the BK cams in perfect synchronization. This is done by adjusting the cables.

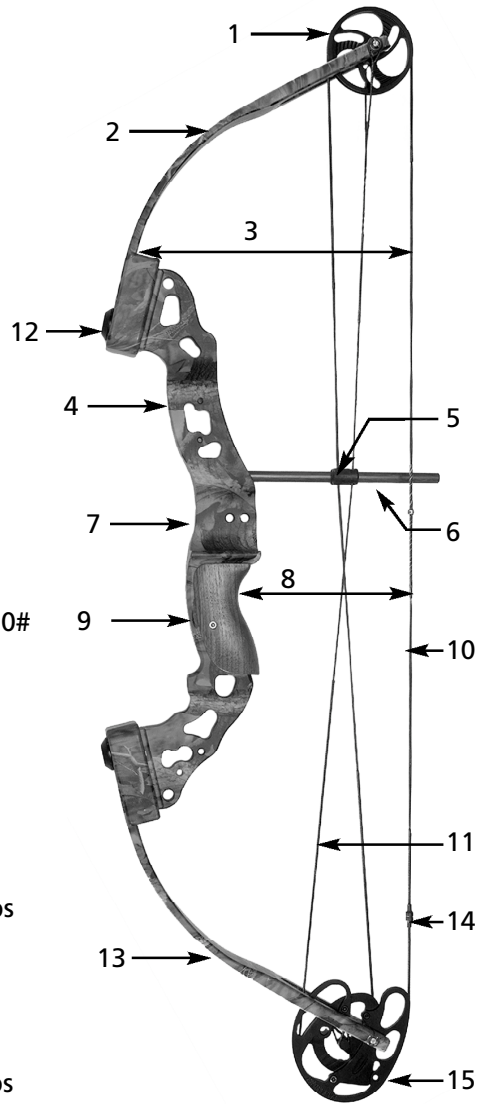


The **Black Knight 2** comes from the factory pre-set. There are two nocks added to the top part and bottom part of the string. This will enhance the speed of the bow; however, adding or removing additional nocks will only reduce the performance. When replacing the string, the speed nocks must be placed 3" from the top and bottom axle. When string or cables need to be replaced, contact your authorized BowTech dealer to purchase only BowTech replacement parts. Any addition of non-Bowtech replacement parts could void your warranty. Properly maintained and tuned, the **Black Knight 2** will perform at its maximum potential.

EXTREME SHORT DRAW

Bow Parts

1. Idler Wheel
2. Top Limb
3. Limb Tiller
4. Riser
5. Cable Slide
6. Cable Guard
7. Arrow Rest
8. Brace Height Measurement
9. Grip
10. String
11. Cable
12. Limb Bolt
13. Bottom Limb
14. Speed Nocks
15. Bottom cam (PF cam)



Bow Specifications

Draw Weights	40-50-60-70#
Let Off	65 or 80%
Axle-Axle	32.5"
Mass Weight	3.6 Lbs

Option 1

Brace Height	6"
Draw Lengths	24-29"
IBO	314-320 fps

Option 2

Brace Height	7"
Draw Lengths	25-30"
IBO	314-322 fps

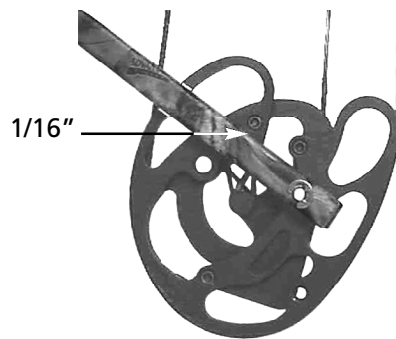
SET UP

The **Extreme SD** is factory tuned right out of the box. You will need to set your draw to the correct length. (An Authorized BowTech dealer should do this step.) The **Extreme SD** has a module draw system. Each module equals 1" of draw length. To change your draw length, see your Authorized BowTech dealer for installation of a different module.

Setting the Peak Weight: One full 360 degree turn on the limb bolt equals 3-4 lbs. The bow is set up for only 10lb increments and allows for no more than 2 1/2, 360 degree turns. **(Every bow will perform best at peak weight).** The **Extreme SD** comes standard to fit most manufacturers accessories. **This bow is intended to shoot with a mechanical release.**

TUNING

The **Extreme SD** bow needs to be properly tuned to achieve maximum performance. Any alterations to the original factory set-up will inhibit that performance. For optimum results keep the PF cam properly tuned. Your **Extreme SD**, is factory set at a 1/16 of an inch gap between the inside module screw and the limb. (See photo below)



The **Extreme SD** comes from the factory pre-set. There are two nocks added to the bottom part of the string. This will enhance the speed of the bow; however, adding or removing additional nocks will only reduce the performance. When replacing the string, the speed nocks should be placed 4.375" from the bottom axle. When string or cables need to be replaced, Contact your authorized BowTech dealer to purchase only BowTech replacement parts. Any addition of non-Bowtech replacement parts could void your warranty. Properly maintained and tuned, the **Extreme SD** will perform at its maximum potential.

PRO 38

Bow Parts

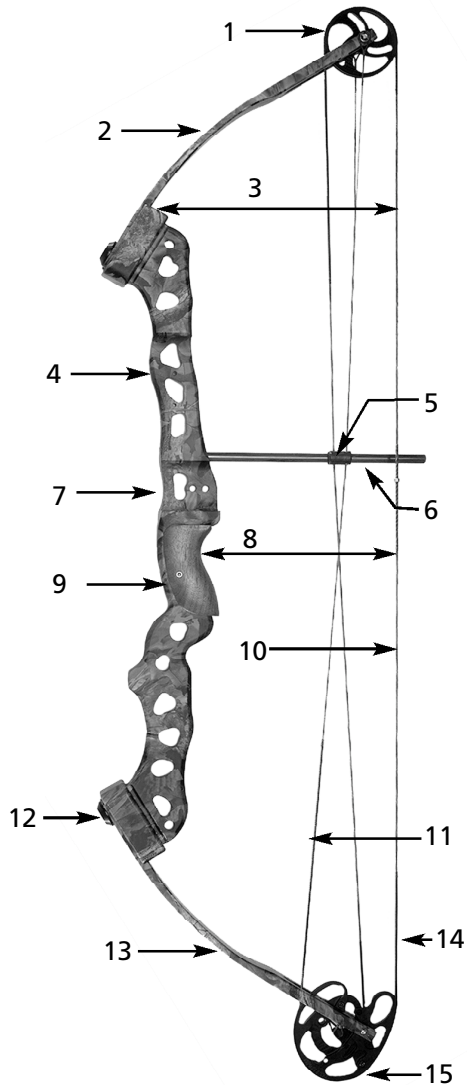
1. Idler Wheel
2. Top Limb
3. Limb Tiller
4. Riser
5. Cable Slide
6. Cable Guard
7. Arrow Rest
8. Brace Height Measurement
9. Grip
10. String
11. Cable
12. Limb Bolt
13. Bottom Limb
14. Speed Nocks
15. Bottom cam (PF cam)

Bow Specifications

Draw Weights	50-60-70#
Let Off	65 or 80%
Axle-Axle	37.9"
Mass Weight	4.3 Lbs

Option 1

Brace Height	7.4"
Draw Lengths	26-31"
IBO	313-320 fps



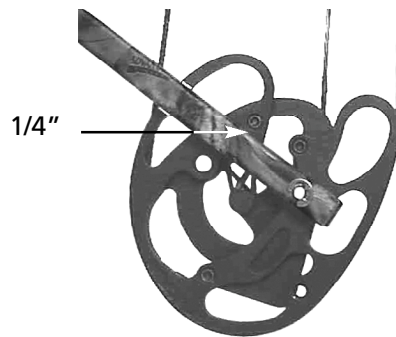
SET UP

The **Pro 38** is factory tuned right out of the box. You will need to set your draw to the correct length. (An Authorized BowTech dealer should do this step.) The **Pro 38** has a module draw system. Each module equals 1" of draw length. To change your draw length, see your Authorized BowTech dealer for installation of a different module.

Setting the Peak Weight: One full 360 degree turn on the limb bolt equals 3-4 lbs. The bow is set up for only 10lb increments and allows for no more than 2 1/2, 360 degree turns. **(Every bow will perform best at peak weight).** The **Pro 38** comes standard to fit most manufacturers accessories. **This bow is intended to shoot with a mechanical release.**

TUNING

The **Pro 38** bow needs to be properly tuned to achieve maximum performance. Any alterations to the original factory set-up will inhibit that performance. For optimum results keep the PF cam properly tuned. Your **Pro 38**, is factory set at 1/4 of an inch gap between the inside module screw and the limb. (See photo below)



The **Pro 38** comes from the factory pre-set. There are two nocks added to the bottom part of the string. This will enhance the speed of the bow; however, adding or removing additional nocks will only reduce the performance. When replacing the string, the speed nocks should be placed 4.5" from the bottom axle. When string or cables need to be replaced, Contact your authorized BowTech dealer to purchase only BowTech replacement parts. Any addition of non-Bowtech replacement parts could void your warranty. Properly maintained and tuned, the **Pro 38** will perform at its maximum potential.

PRO 40

Bow Parts

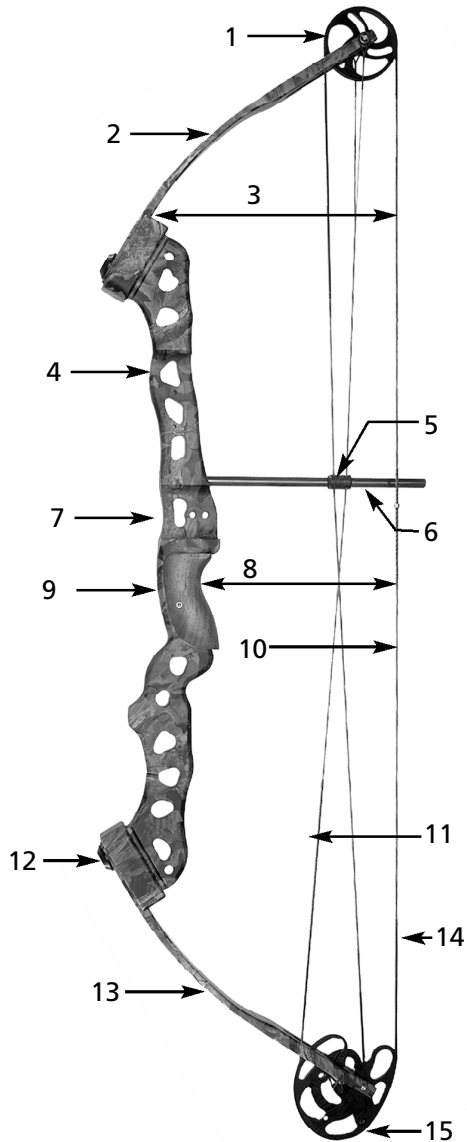
1. Idler Wheel
2. Top Limb
3. Limb Tiller
4. Riser
5. Cable Slide
6. Cable Guard
7. Arrow Rest
8. Brace Height Measurement
9. Grip
10. String
11. Cable
12. Limb Bolt
13. Bottom Limb
14. Speed Nocks
15. Bottom cam (PF cam)

Bow Specifications

Draw Weights	50-60-70#
Let Off	65 or 80%
Axle-Axle	39.9"
Mass Weight	4.4 Lbs

Option 1

Brace Height	7.8"
Draw Lengths	27-32"
IBO	308-316 fps



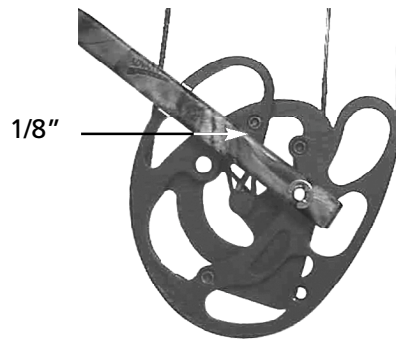
SET UP

The **Pro 40** is factory tuned right out of the box. You will need to set your draw to the correct length. (An Authorized BowTech dealer should do this step.) The **Pro 40** has a module draw system. Each module equals 1" of draw length. To change your draw length, see your Authorized BowTech dealer for installation of a different module.

Setting the Peak Weight: One full 360 degree turn on the limb bolt equals 3-4 lbs. The bow is set up for only 10lb increments and allows for no more than 2 1/2, 360 degree turns. **(Every bow will perform best at peak weight).** The **Pro 40** comes standard to fit most manufacturers accessories. **This bow is intended to shoot with a mechanical release.**

TUNING

The **Pro 40** bow needs to be properly tuned to achieve maximum performance. Any alterations to the original factory set-up will inhibit that performance. For optimum results keep the PF cam properly tuned. Your **Pro 40**, is factory set at a 1/8 of an inch gap between the inside module screw and the limb. (See photo below)



The **Pro 40** comes from the factory pre-set. There are two nocks added to the bottom part of the string. This will enhance the speed of the bow; however, adding or removing additional nocks will only reduce the performance. When replacing the string, the speed nocks should be placed 4.625" from the bottom axle. When string or cables need to be replaced, Contact your authorized BowTech dealer to purchase only BowTech replacement parts. Any addition of non-Bowtech replacement parts could void your warranty. Properly maintained and tuned, the **Pro 40** will perform at its maximum potential.

STALKER

Bow Parts

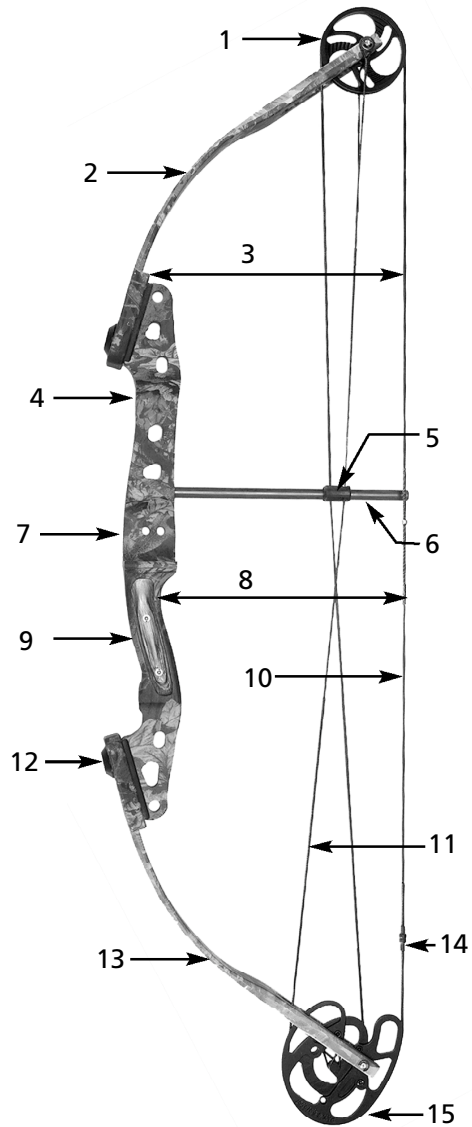
1. Idler Wheel
2. Top Limb
3. Limb Tiller
4. Riser
5. Cable Slide
6. Cable Guard
7. Arrow Rest
8. Brace Height Measurement
9. Grip
10. String
11. Cable
12. Limb Bolt
13. Bottom Limb
14. Speed Nocks
15. Bottom cam (PF cam)

Bow Specifications

Draw Weights	60-70#
Let Off	65 or 80%
Axle-Axle	33.5"
Mass Weight	2.9 Lbs

Option 1

Brace Height	7.75"
Draw Lengths	27-32"
IBO	298-306 fps



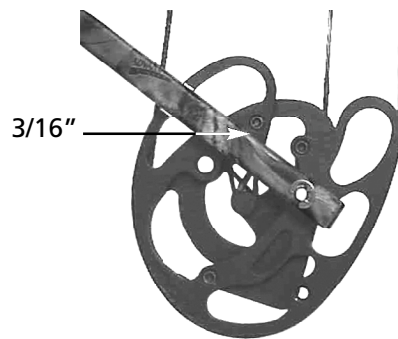
SET UP

The **Stalker** is factory tuned right out of the box. You will need to set your draw to the correct length. (An Authorized BowTech dealer should do this step.) The **Stalker** has a module draw system. Each module equals 1" of draw length. To change your draw length, see your Authorized BowTech dealer for installation of a different module.

Setting the Peak Weight: One full 360 degree turn on the limb bolt equals 3-4 lbs. The bow is set up for only 10lb increments and allows for no more than 2 1/2, 360 degree turns. **(Every bow will perform best at peak weight).** The **Stalker** comes standard to fit most manufacturers accessories. **This bow is intended to shoot with a mechanical release.**

TUNING

The **Stalker** bow needs to be properly tuned to achieve maximum performance. Any alterations to the original factory set-up will inhibit that performance. For optimum results keep the PF cam properly tuned. Your **Stalker**, is factory set at a 3/16 of an inch gap between the inside module screw and the limb. (See the photo below)



The **Stalker** comes from the factory pre-set. There are two nocks added to the bottom part of the string. This will enhance the speed of the bow; however, adding or removing additional nocks will only reduce the performance. When replacing the string, the speed nocks should be placed 4.25" from the bottom axle. When string or cables need to be replaced, Contact your authorized BowTech dealer to purchase only BowTech replacement parts. Any addition of non-Bowtech replacement parts could void your warranty. Properly maintained and tuned, the **Stalker** will perform at its maximum potential.

TECH 29

Bow Parts

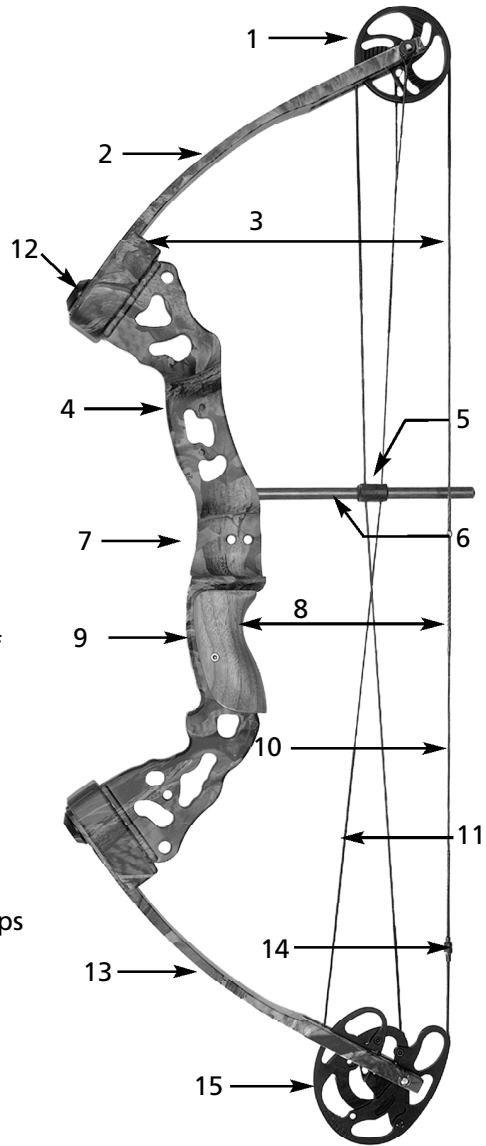
1. Idler Wheel
2. Top Limb
3. Limb Tiller
4. Riser
5. Cable Slide
6. Cable Guard
7. Arrow Rest
8. Brace Height Measurement
9. Grip
10. String
11. Cable
12. Limb Bolt
13. Bottom Limb
14. Speed Nocks
15. Bottom cam (PF cam)

Bow Specifications

Draw Weights	50-60-70#
Let Off	65-80%
Axle-Axle	29.5"
Mass Weight	3.6 Lbs

Option 1

Brace Height	6.5"
Draw Lengths	24-29"
IBO @ 70/29	314-320 fps



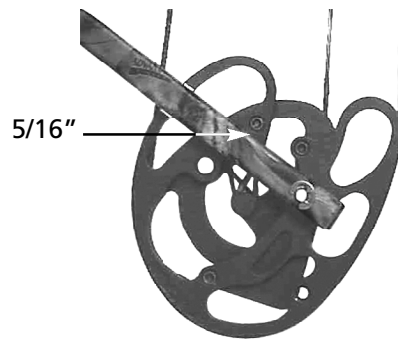
SET UP

The **Tech 29** is factory tuned right out of the box. You will need to set your draw to the correct length. (An Authorized BowTech dealer should do this step.) The **Tech 29** has a module draw system. Each module equals 1" of draw length. To change your draw length, see your Authorized BowTech dealer for installation of a different module.

Setting the Peak Weight: One full 360 degree turn on the limb bolt equals 3-4 lbs. The bow is set up for only 10lb increments and allows for no more than 2 1/2, 360 degree turns. **(Every bow will perform best at peak weight).** The **Tech 29** comes standard to fit most manufacturers accessories. **This bow is intended to shoot with a mechanical release.**

TUNING

The **Tech 29** bow needs to be properly tuned to achieve maximum performance. Any alterations to the original factory set-up will inhibit that performance. For optimum results keep the PF cam properly tuned. Your **Tech 29**, is factory set at 5/16" of an inch gap between the inside module screw and the limb. (See photo below)



The **Tech 29** comes from the factory pre-set. There are two nocks added to the bottom part of the string. This will enhance the speed of the bow; however, adding or removing additional nocks will only reduce the performance. When replacing the string, the speed nocks should be placed 4.75" from the bottom axle. When string or cables need to be replaced, Contact your authorized BowTech dealer to purchase only BowTech replacement parts. Any addition of non-Bowtech replacement parts could void your warranty. Properly maintained and tuned, the **Tech 29** will perform at its maximum potential.

TROUBLE SHOOTING

1. All BowTech bows use AMO draw (28 1/4" inches from the pivot point of the grip to the bottom of the valley) plus 1 3/4" inches as the standard for measuring draw lengths.
2. Always use a properly spined arrow for this bow with a minimum weight of five (5) grains per pound (IBO standard). Just because the total arrow weight is IBO legal does not necessarily mean that the arrow is properly spined. The arrow spine must be able to absorb the energy of the bow. The bow must be able to transfer the energy to the arrow without having any of the energy lost in the process. If the arrow is not properly spined the arrow will kick out, lose speed, and have poor arrow flight. If the arrow is properly you will achieve true, straight arrow flight with the maximum speed. The arrow must be at least (5) grains per pound and have a stiff enough shaft to withstand the energy the bow will give it. Use an arrow chart to determine what shaft will be needed to fit the specifications of your bow.
3. Make sure the weight of the arrow tip is matched to the arrow's shaft strength. If the weight of the tip is either too light or too heavy, poor arrow flight will result. Use your arrow chart to find out what tip weight is needed to match the arrow shaft.
4. The arrow nock should be 3/16" to 3/8" above the center of the T-square, depending on the shaft diameter. This is a good starting point to achieve proper arrow flight.
5. Make sure the bow is at even tiller. Tiller is an archer's term for the distances between the string and the point where the back of the limb joins the riser.
6. Make sure the cams are properly tuned as seen in the Tuning section of each bow in this Owners manual.
7. **Any accessories added to the Bowstring will cause the bow to lose speed. All speed tests are done only with factory specs.**
8. If you are in need of assistance with setting up, tuning or solving an arrow flight problem, contact your local authorized BowTech dealer for assistance.

RECOMMENDED BOW MAINTENANCE

1. Use properly spined arrows for all Bowtech bows. The minimum arrow weight for this bow should be five grains per pound (IBO).
2. Replace the string and cables once a year or every 2500 shots, whichever ever comes first, to maintain optimum performance.
3. Examine your bow for wear and tear before you shoot (axles, bushings, cables, cable slide, e-clips and string). If any one of these items is showing excessive wear, contact your Authorized BowTech dealer to have them install new Bowtech replacement parts. This will keep your bow shooting consistently without voiding your warranty.
4. When adjusting the bows draw weight, always keep the bow at even tiller on the top and bottom. If the top, for example, is 7" tiller and the bottom is 7" tiller that is even. If the top or bottom tiller is off by as little as 1/8-1/4", the bows performance, may be affected.
5. When adjusting the bow's draw weight, do not turn the limb bolts out more than 2 1/2 full turns. Each full revolution of the limb bolt equals about 3-5 lbs. Adjusting the weight of the bow will adversely affect the performance of the bow.
6. **Warning:** Do not for any reason turn the limb bolts out more than the recommended amount. **Doing so could cause the limbs to come out of the limb pockets.**
7. Proper lubrication of the axles, bushings and limb pockets will limit wear and tear. Adding enough lubricant to these areas acts as a barrier between each working part and will optimize the performance of the bow. (Note: Only industry standard lubricants should be used. **NOT WD 40.**)
8. Inspect your cam position on a regular basis to make sure the factory setting is maintained. (See tuning section for your specific bow.) This will ensure the draw length and draw weight remain consistent.

WARNING!

DO NOT DRY-FIRE THE BOW

1. Never draw the bow back with a release without having an arrow nocked. The release could fail and without having an arrow nocked it could cause you to dry-fire the bow.
2. Never draw the bow back without having the limb bolts properly adjusted (no more than 2 1/2 turns off peak weight) and the cables and string properly attached to the correct post and in the correct tracks to avoid possible injury.
3. Do not attach anything to the cables or string that could cause them to wear or become cut. This will void the Warranty
4. Do not under any circumstances change a cam bushing yourself, as any resulting damage would void the Warranty. Always send the part back to BowTech for proper replacement.
5. Any alteration from the factory specifications or the adjustments outlined herein will void the factory Warranty.
6. Have ALL maintenance done at an authorized BowTech dealer or through the BowTech Factory Service Department.
7. Do not cross cables above cable rod. This will have an adverse effect on performance and shootability

BOWTECH UPDATE

Target color will now be available
On all models except Stalker

Extreme Solo will be available
Up to 100lb draw weight

Stalker will be available in left handed
Late availability

Pro models (Pro 38 and Pro 40)
Will be available with dual cams

STRING CARE

Congratulations! You now possess the finest bowstring in the industry today. Your Winner's Choice Custom Bowstring is manufactured to provide long string life and absolute consistency, shot after shot. This will result in greater accuracy, and less time spent re-tuning your equipment.

Winner's Choice Custom Bowstrings have several unique features you should be aware of:

1. True center peep installation string. (Shooting string only): You will notice a small piece of string tied through the bowstring just above the center serving. This was installed in the true center of the string during manufacture. First we recommend shooting the bow 15 to 20 times to remove all looseness from the string as a result of relaxation during packaging. Next, simply use the peep installation string to separate the bowstring. Install peep, then **carefully** cut and remove the installation string (if you do not use a peep, remove this string before use). In most cases, to properly align the peep simply twist or untwist the string from the bottom in 1/2 turn increments until the peep aligns. In rare cases, this procedure may need to be repeated one time after an additional 200 shots.
2. Wax string often. We recommend BCY ML 6 synthetic string wax or equivalent product. To wax string, apply wax liberally to entire length of string. Rub briskly with fingers until string looks slick. Remove excess wax with a clean cloth.
3. On one of the loop ends, you may notice an area of the served string that is slightly larger than the rest, and may have small gaps in the serving. This is normal, and quite integral to the performance of your new string.

We are certain you will find that your Winner's Choice product to be the finest product of its kind. If you do have a problem with one of our strings or cables, please contact us immediately so we may promptly remedy the situation and return you to the activity you enjoy – SHOOTING.

Questions or comments contact:

Winner's Choice Custom Bowstrings Inc.,

141 East Main, John Day, Oregon 97845 or call us at (541) 575-0818.

Fax (541) 575-2374

E-mail: winnerschoice@highdesertnet.com

